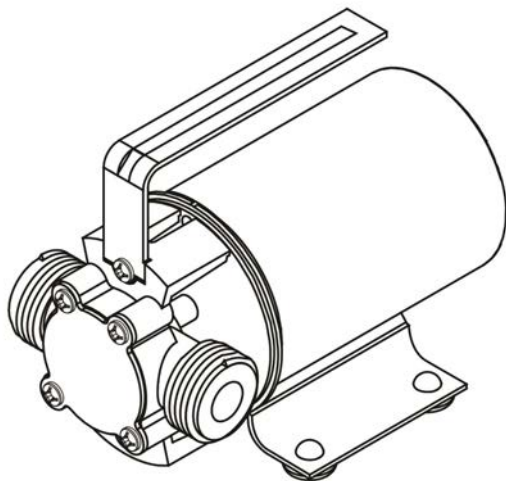




INSTALLATION & OPERATION MANUAL
TRANSFER PUMP

SKU: 691-3319
MODEL: BA90047



Safety Guidelines

Carefully read, understand and follow all safety instructions in this manual.



This is the safety alert symbol. When you see this symbol, look for one of the following signal words.

⚠ DANGER

Indicates a hazardous situation which, if not avoided, will result in death or serious injury.

⚠ CAUTION

Indicates a hazardous situation which, if not avoided, could result in death or serious injury.

⚠ WARNING

Indicates a hazardous situation which, if not avoided, could result in minor or moderate injury.

Safety Information

Read these warnings carefully. Know the application and limitations of this pump. Failure to follow these warnings could result in serious bodily injury and/or property damage.

⚠ DANGER

This pump is not submersible. Do not submerge the motor in water or expose to water. Personal injury and/or death could result from electric shock.

⚠ DANGER

Do not use to pump flammable or explosive liquids such as gasoline, kerosene, fuel oil, etc. Personal injury and / or death could result. Do not use this pump in a flammable or explosive environment. This pump is intended to pump clear water only.

⚠ WARNING

Never touch any electrical device, including this pump, when it is touching water, in water, or even in a moist environment. Always unplug (disconnect the pump from the 12 volt battery (not included)) when working on or installing the unit.

⚠ WARNING

RISK OF ELECTRICAL SHOCK. Do not use the battery clip cords to carry or lift the pump. Doing so may cause the wire insulation to be exposed. Protect the cord from sharp objects, hot surfaces, oil and chemicals.

⚠ WARNING

Do not run pump dry. This pump relies on water for cooling & lubrication. Running the pump dry can cause damage to the impeller and/or pump housing. It is recommended to add 1-2 tablespoons of vegetable or other light weight oil to the inlet and outlet ports before operation.

⚠ WARNING

This product can expose you to chemicals including vinyl chloride which is known to the state of California to cause cancer. For more information go to www.P65Warnings.ca.gov

⚠ CAUTION

Do not use this pump for potable/drinking water. Use only in applications for which the pump is designed for.

Specifications

| HP | Volts | Amps | Hz | Suction/Discharge | Max. Liquid Temperature | Cord Length |
|------|-------|------|----|-------------------|-------------------------|-------------|
| 1/10 | 12 | 2.3 | 60 | 3/4" GHT | 120°F | 2 Feet |

Installation

⚠ DANGER Always disconnect the power source before attempting to install, service or perform maintenance. If the power source is out of sight, lock and tag in the off position to prevent unintended power application. Failure to do so could result in fatal electric shock.

1. The inlet and discharge ports are 3/4" garden hose thread. This pump includes a 6 foot suction hose and suction attachment. Standard garden hose can be threaded onto the pump discharge. See Figure 1. Use 1/2" or larger garden hose.
2. The maximum suction lift of the pump is 7 feet. Keep the suction and discharge hoses as short and straight as possible. Do not kink or coil hose as that will greatly reduce water flow. The discharge hose should be no longer than 25'.
3. Use a screen or strainer (not included) when pumping water that contains debris

⚠ CAUTION Do not run the pump dry. Running the pump dry will cause damage to the impeller and result in premature failure of the pump. Running the pump dry will also void the warranty. It is recommended to add 1-2 tablespoons of vegetable oil to the inlet and outlet of the pump before each use to prevent impeller damage and to aid in priming.

1. Fill the suction hose with clean water and attach it to the inlet port of the pump. Make sure there is a gasket inside the hose connection to ensure an airtight seal.
2. Attach the suction attachment to the male end of the suction hose. The use of the suction attachment is optional.
3. Connect the discharge hose to the outlet port of the pump.

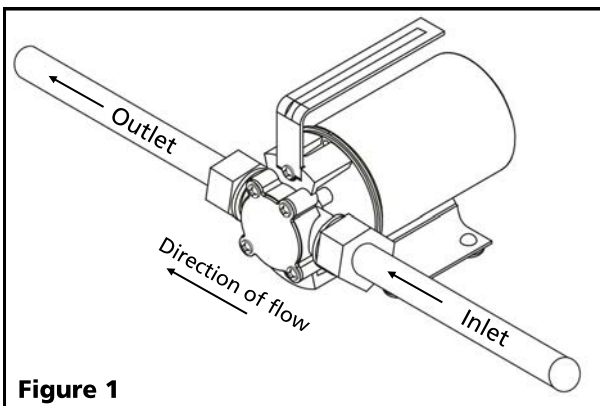
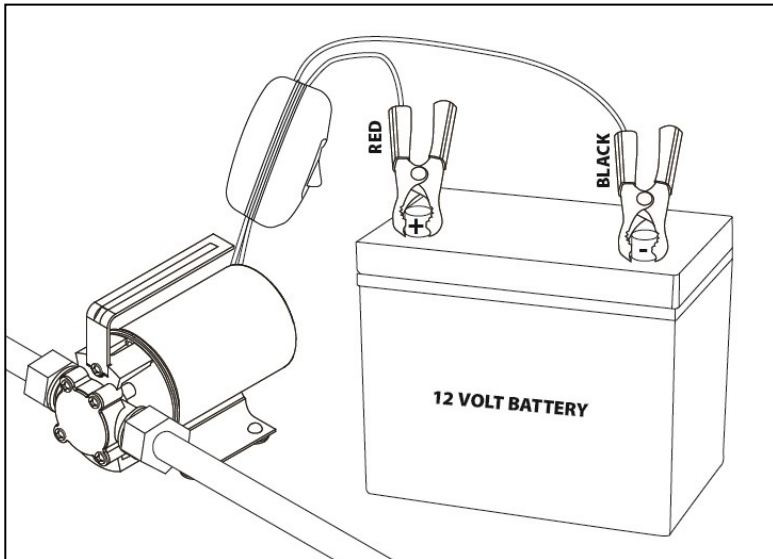


Figure 1

Operation

1. Once the suction and discharge hoses are connected to the pump you are ready to operate the pump. A 12 volt battery is required and is not included.
2. Grasp the red positive battery clip connected to the pump. Squeeze the red clips handle to open and attach the clip to the positive (+) battery post. (12 volt battery not included)
3. Grasp the black negative battery clip connected to the pump. Squeeze the black clips handle to open and attach the clip to the negative (-) battery post. (12 volt battery not included)
4. Turn on the power switch located on the cord.
5. The pump should prime and start pumping within 30 seconds of starting depending on the length of suction hose. If the pump does not move water within 30 seconds, turn off the pump and check the connections.
6. When finished pumping turn off the power switch and unplug the black clip and then the red clip.



Maintenance

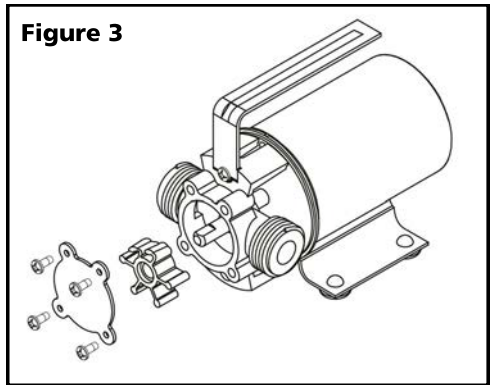
⚠ DANGER Always disconnect the power source before attempting to install, service or perform maintenance. If the power source is out of sight, lock and tag in the off position to prevent unintended power application. Failure to do so could result in fatal electric shock.

⚠ WARNING Allow the pump to cool before servicing. The motor may be extremely hot and could result in personal injury.

Maintenance (continued)

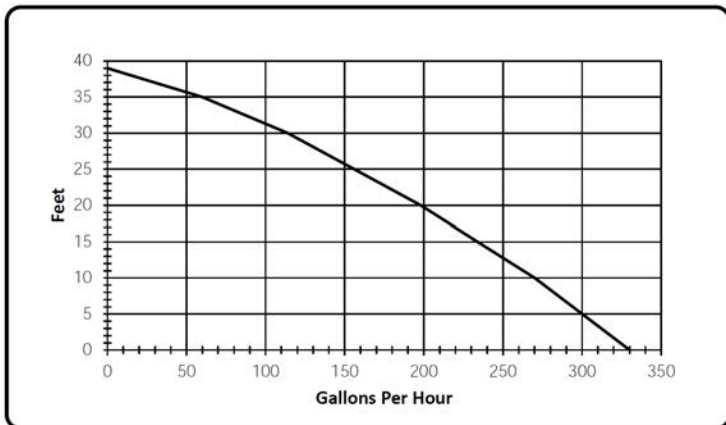
IMPELLER / GASKET REPLACEMENT

1. Unplug both battery clips from the battery
2. Disconnect suction and discharge hoses.
3. Empty remaining water from pump housing.
4. Remove the four housing plate cover screws.
5. Remove worn or damaged impeller. Note the direction of the impeller vanes.
6. Clean the inside of the pump housing and apply a small amount vegetable oil, petroleum jelly or other lubricant to the pump housing and outer diameter of the impeller.
7. Align the flat on the impeller bore with the flat on the motor shaft. Push the impeller onto the motor shaft while turning the impeller in a clockwise direction.
8. Place a new gasket on the pump housing, align the holes and replace the housing cover plate. Securely tighten the housing plate screws.



Performances

NOTICE Height and/or hose restriction will reduce the pump output performance. It is recommended to use the same size or larger pipe as the pump discharge for optimum performance. Keep the hose length as short and straight as possible. Performance based on fully charged 12 volt battery.

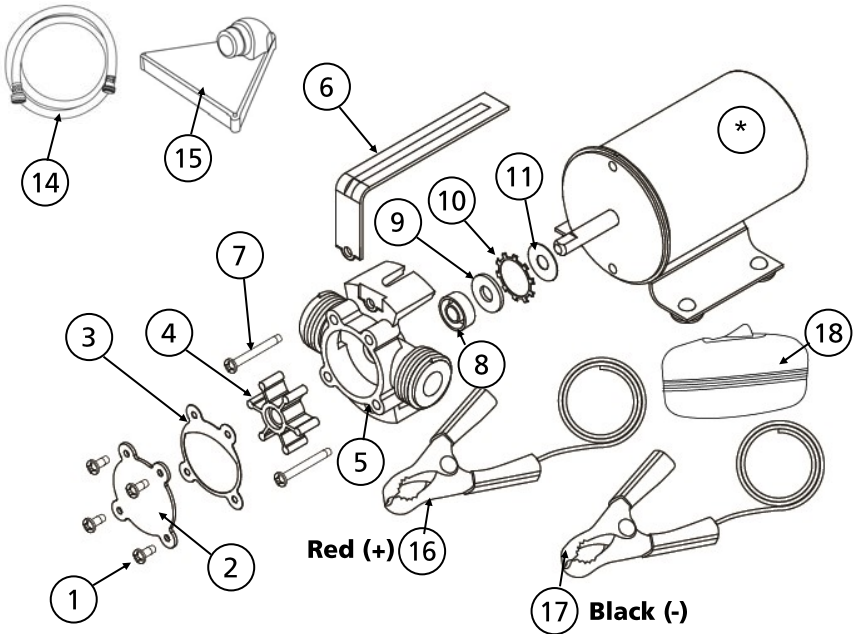


| Discharge Height | 0' | 10' | 20' | 30' | 35' |
|------------------|-----|-----|-----|-----|-----|
| Gallons Per Hour | 330 | 270 | 198 | 114 | 60 |

Troubleshooting

| PROBLEM | POSSIBLE CAUSES | HOW TO CORRECT |
|---|--|--|
| If the pump does not start or run | Pump is not connected correctly to the 12 volt battery | Connect pump to 12 volt battery (not included) |
| | 12 Volt battery is not charged | Fully charge 12 volt battery (not included) and try again |
| | Obstructed impeller | Check and remove obstruction |
| Pump will not prime or retain prime | Air leak in suction line | Check for leaks. Use thread sealant if necessary |
| | Suction hose kinked or coiled | Straighten suction hose |
| | Worn seal/gasket | Inspect and replace if necessary |
| | Suction lift too high | Lower pump closer to water source |
| If the pump runs but moves little or no water | Clogged or kinked discharge hose/pipe | Remove kink or clog |
| | Frozen discharge hose/pipe | Allow hose/pipe to thaw |
| | Air leak in suction line | Check for leaks. Use thread sealant if necessary |
| | 12 Volt battery is low on charge | Fully charge 12 volt battery (not included) and try again |
| | Worn, damaged or clogged pump parts | Inspect for wear, damage or clog and clean or replace if necessary |
| | Discharge or suction lift exceeds pump capacity | Lower pump closer to water source and/or decrease discharge height |
| | Suction end of hose out of water | Submerge suction line in water. |
| Pump Leaks | Worn shaft seal | Inspect and replace if necessary |
| | Worn housing gasket | Inspect and replace if necessary |
| | Loose housing plate screws | Tighten screws |

Replacement Parts



| Ref# | Description | Part # |
|------|---|------------------|
| 1 | Screws (Housing Cover) M4-.07 x 10mm | Purchase Locally |
| 2 | Housing / Volute Cover Plate | 99687 |
| 3 | Gasket | 99688 |
| 4 | Impeller | 99689 |
| 5 | Housing / Volute | 99690 |
| 6 | Handle | 99691 |
| 7 | Handle / Housing Screw M5-.08 x 30mm | Purchase Locally |
| 8 | Shaft Seal | 99692 |
| 9 | Felt Washer | 99693 |
| 10 | Star Retaining Washer | 99694 |
| 11 | Slinger Washer (18mm OD x 8mm ID x 2mm) | 99695 |
| 12 | Motor Brush (2 per set) | 99696 |
| 13 | Brush Cap | 99697 |
| 14 | Suction hose | 99698 |
| 15 | Suction attachment | 99699 |
| 16 | Positive battery clip* | NA |
| 17 | Negative battery clip* | NA |
| 18 | Power switch* | NA |

* Not Replaceable

For Parts or Assistance, please call 1-800-495-9278

LIMITED WARRANTY - TRANSFER PUMPS:

Barracuda Pumps warrants that the products specified in this warranty are free from defects in material or workmanship for one (1) year from date of purchase. During the time period and subject to the terms and conditions, Barracuda Pumps will repair or replace to the original user or consumer any portion of this product which proves to be defective due to materials or workmanship. At all times Barracuda Pumps shall have and possess the sole right and option to determine whether to repair or replace defective equipment, parts, or components. Barracuda Pumps has the option to inspect any product returned under warranty to confirm that the warranty applies before repair or replacement under warranty is approved. This warranty sets forth Barracuda Pumps sole obligation and purchaser's exclusive remedy for defective product. Return defective product to the place of purchase for warranty consideration.

WARRANTY PERIOD - PRODUCTS:

If, within the duration of product use by the original user, this product proves to be defective due to materials or workmanship, the product shall be repaired or replaced at Barracuda Pumps option, subject to the terms and conditions set forth in this warranty statement. Proof of purchase is required for warranty consideration. In the absence of suitable proof of the purchase date, the effective period of this warranty is 12 months from the product's date of manufacture.

LABOR, ETC. COSTS:

Barracuda Pumps shall IN NO EVENT be responsible or liable for the cost of field labor or other charges incurred by any customer in removing and/or affixing any product, part, or component thereof.

PRODUCT IMPROVEMENTS:

Barracuda Pumps reserves the right to change or improve its products or any portions thereof without being obligated to provide such a change or improvement for units sold and/or shipped prior to such change or improvement.

GENERAL TERMS AND CONDITIONS:

This warranty shall not apply to damage due to acts of God, normal wear and tear, normal maintenance services and the parts used in connection with such service, lightning or conditions beyond the control of Barracuda Pumps, nor shall it apply to products which, in the sole judgment of Barracuda Pumps, have been subject to negligence, abuse, accident, misapplication, tampering, alteration; nor due to improper installation, operation, maintenance or storage; nor to excess of recommended maximums as set forth in the instructions. Warranty will be VOID if any of the following conditions are found:

1. Product is used for purposes other than those for which it was designed and manufactured
2. Product not installed in accordance with applicable codes, ordinances, and good trade practices
3. Product connected to voltage other than indicated on nameplate
4. Pump exposed to but not limited to the following: sand, gravel, cement, grease, plaster, mud, tar, oil, gasoline, solvents or other abrasive or corrosive substances
5. Pump has been used for pumping liquids above 120°F
6. Pump allowed to operate dry (liquid supply cut off)

DISCLAIMER:

Any oral statements about the product made by the seller, Barracuda Pumps, the representatives, or any other parties do not constitute warranties, shall not be relied upon by the user, and are not part of the contract for sale. Seller's and Barracuda Pumps only obligation, and buyer's only remedy, shall be the replacement and/or repair by Barracuda Pumps of the product as described above. NEITHER SELLER NOR BARRACUDA PUMPS SHALL BE LIABLE FOR ANY INJURY, LOSS OR DAMAGE, DIRECT, INCIDENTAL OR CONSEQUENTIAL (INCLUDING, BUT NOT LIMITED TO, INCIDENTAL OR CONSEQUENTIAL DAMAGES FOR LOST PROFITS, LOST SALES, INJURY TO PERSON OR PROPERTY, OR ANY OTHER INCIDENTAL OR CONSEQUENTIAL LOSS), ARISING OUT OF THE USE OR THE INABILITY TO USE THE PRODUCT, AND THE USER AGREES THAT NO OTHER REMEDY SHALL BE AVAILABLE TO IT. Before using, the user shall determine the suitability of the product for his/her intended use, and user assumes all risk and liability whatsoever in connection therewith.

THE WARRANTY AND REMEDY DESCRIBED IN THIS LIMITED WARRANTY IS AN EXCLUSIVE WARRANTY AND REMEDY AND IS IN LIEU OF ANY OTHER WARRANTY OR REMEDY, EXPRESSED OR IMPLIED, WHICH OTHER WARRANTIES AND REMEDIES ARE HEREBY EXPRESSLY EXCLUDED, INCLUDING BUT NOT LIMITED TO ANY IMPLIED WARRANTY OF MERCHANTABILITY OR FITNESS FOR A PARTICULAR PURPOSE, TO THE EXTENT EITHER APPLIES TO A PRODUCT SHALL BE LIMITED IN DURATION TO THE PERIODS OF THE EXPRESSED WARRANTIES GIVEN ABOVE.

Some states and countries do not allow the exclusion or limitations on how long an implied warranty lasts or the exclusion or limitation of incidental or consequential damages, so the above exclusion or limitations may not apply to you. This warranty gives you specific legal rights, and you may also have other rights which vary from state to state.